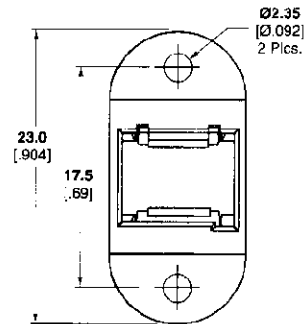
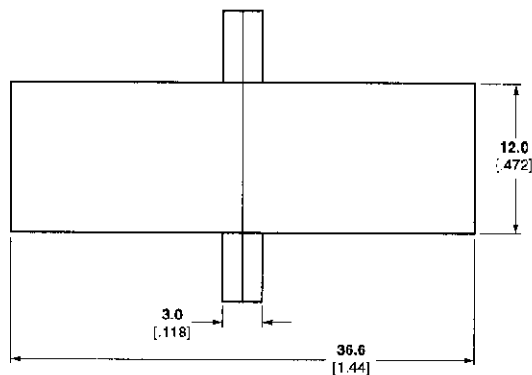
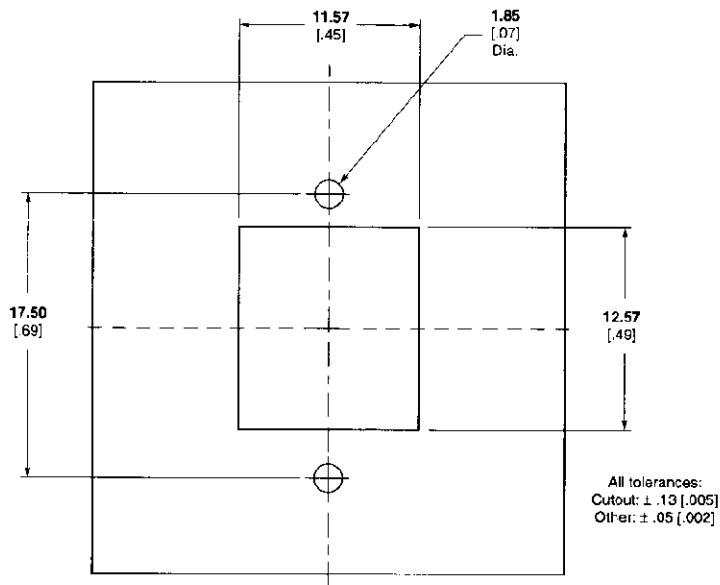


Bulkhead Coupling Adapter



Part Number 492305-1

- Use two #2 screws for panel mounting
- LIGHTRAY MPX coupling adapter uses the same dust cover as the SC coupling adapter
- Can be mounted side-by-side for maximum port density



Panel Cutout